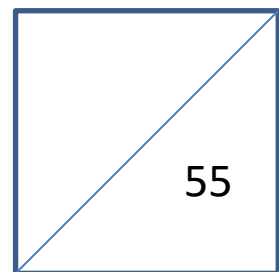


SINGAPORE

Primary School Leaving Examinations
(PSLE)

Mathematics

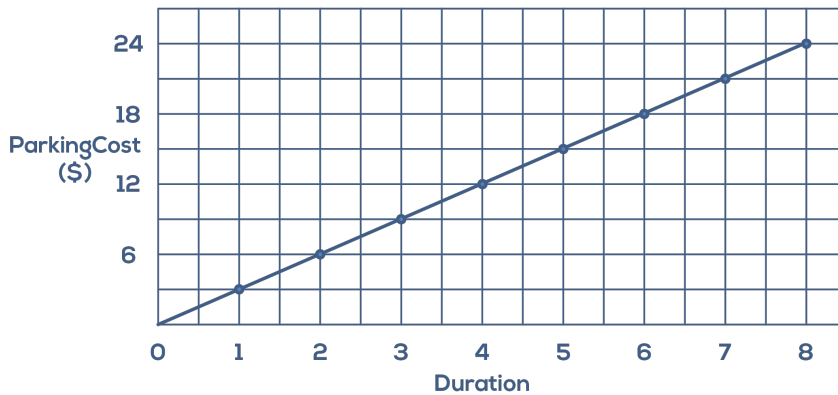
Mock Exam Paper 2 (Set A)



1. The average amount of money Andy and Ben has is \$64 while the average amount of money Andy and Casper has is \$87. How much more does Cedric have than Ben?

Ans: _____ (2)

2. The line graph below shows the cost of parking a car in a certain shopping mall. Janice parked her car at the shopping mall at 09 20 and left at 1420. How much did she pay for her parking?



Ans: _____ (2)

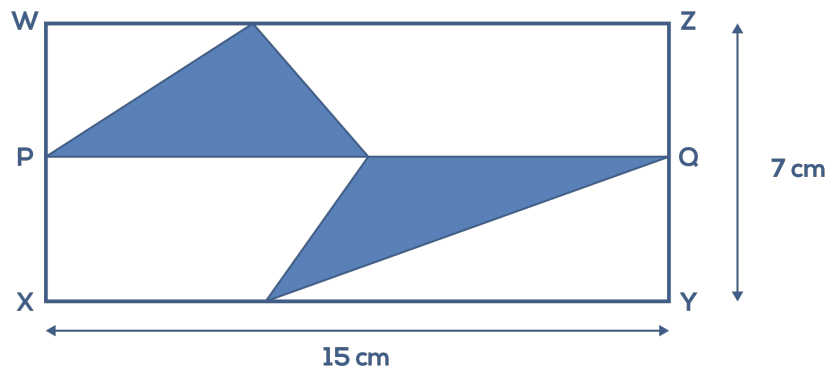
3. There were 210 red and green beads in the bag. 30% of the beads were red, Ben added 42 blue beads to the bag. What is the new percentage of the red beads in the bag?

Ans: _____ (2)

4. The ratio of the boys to girls at the party was 3 : 2.
Half an hour later, some girls joined the party and the total became 2 : 5.
If there were 66 boys at the beginning, how many pupils attended the party altogether?

Ans: _____ (2)

5. In Rectangle WXYZ, P and Q are mid-points of WX and YZ respectively. Find the shaded area of the figure.



Ans: _____ (2)

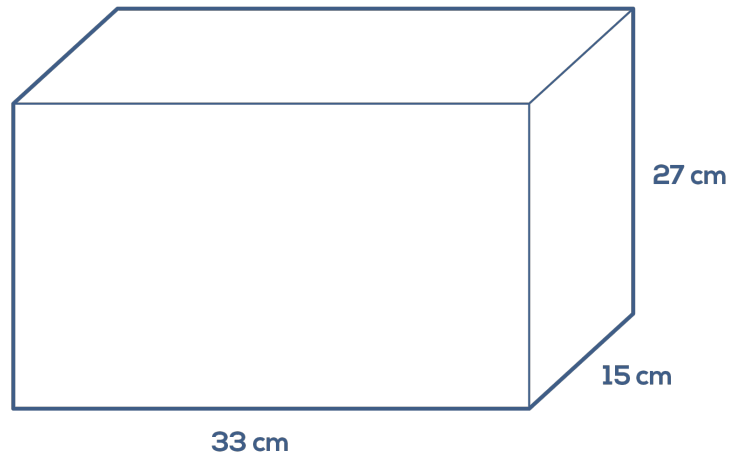
6. Gary kept 234 marbles in 2 containers, A and B. After $\frac{2}{5}$ of the marbles in Container A were transferred to Container B, there were 24 more marbles in Container A than Container B. How many marbles were there in Container B at first?

Ans: _____ (3)

7. At 10 a.m., a car started from Town X and travelled towards Town Y at a speed of 80 km/h. At the same time, a lorry started from Town Y and travelled towards Town X along the same route at a speed of 50 km/h. The distance between Town X and Town Y is 182 km. At what time did they meet?

Ans: _____ (3)

8. Anne needs to pack 6-cm cubes into a box measuring 33 cm by 15 cm by 27 cm as shown below. What is the volume of the remaining space in the box after the maximum number of cubes have been packed?



Ans: _____ (3)

9. The table below shows the number of pupils from 5 classes attending a holiday camp. The total number of students from the 5 classes was less than 100. If they grouped into teams of 5 pupils each, 1 pupil is left out. If they are grouped into teams of 7 pupils each, 5 pupils are left out. How many pupils are there in class 4C?

Class	Number of pupils
4A	32
4B	28
4C	?
4D	11
4E	6

Ans: _____ (3)

10. Camy and Danielle went shopping together with a total sum of \$90. Camy spent twice as much as Danielle. The amount Danielle had left was \$9 more than what she had spent. She had twice as much money left as Camy.
- (a) How much money did Danielle spend?
 (b) How much money did Camy have at first?

Ans: _____ (2)

Ans: _____ (1)

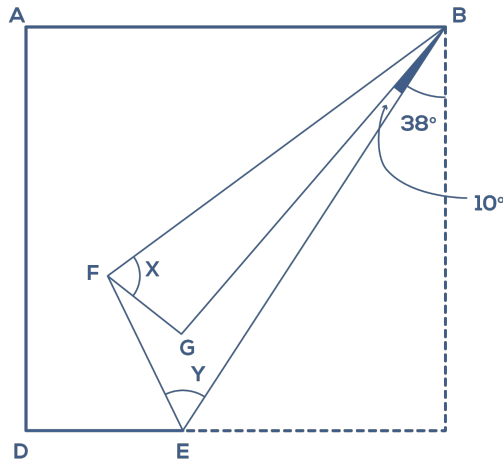
11. Jimmy set a target score for his Math test. After the Math teacher returned his test paper to him, he realized that if he increased his target score by 10%, he would need 1 more mark to reach his actual test score. If he increased his target score by 15%, this target score would exceed his actual test score by 3 marks. Find his actual test score.

Ans: _____ (4)

12. The price of a child ticket and an adult ticket to a concert are \$3 and \$8 respectively. The amount collected from the sale of the child tickets is \$730 less than the amount from the sale of the adult tickets. The number of child tickets sold is 35 fewer than the number of adult tickets sold. How many tickets are sold altogether?

Ans: _____ (4)

13. In the figure below, a rectangular piece of paper is folded twice at its corner as shown.



- (a) Find $\sphericalangle x$
(b) Find $\sphericalangle y$

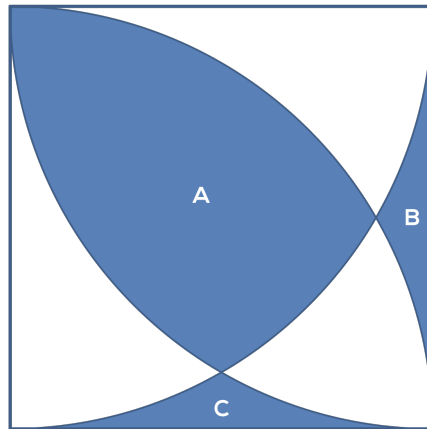
Ans: _____ (2)

Ans: _____ (2)

14. Mr Fong and his 7 family members ate a restaurant and paid \$256.80. He had been given a 20% discount on the usual price. The price included a 7% GST on the discounted price. What was the usual price of the dinner per person, without GST?

Ans: _____ (4)

15. The figure below is made up of 3 identical quarter circles and a square of side 8 cm.
- Find the perimeter of the shaded areas.
 - Find the difference in the shaded area of A and the sum of the shaded areas of B and C.
(Take $\pi = 3.14$)



Ans: _____ (2)

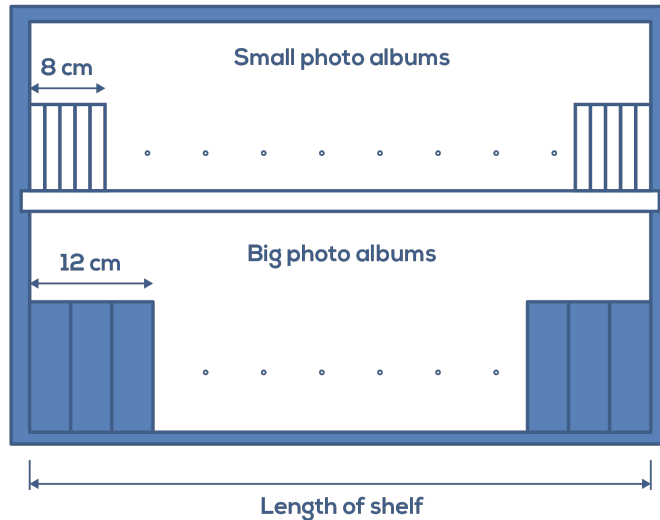
Ans: _____ (2)

16. The ratio of Alvin's savings to Bernard's savings was 3 : 11 after Alvin gave $\frac{1}{10}$ of his savings to Bernard. Both later spent the same amount of money at a book fair. In the end, the ratio of Alvin's savings to Bernard's savings became 1 : 9 and Bernard had \$264 more than Alvin.
- (a) What was the ratio of Alvin's savings to Bernard's savings at first?
- (b) How much savings did Alvin had at first?

Ans: _____ (2)

Ans: _____ (3)

17. In a bookshop, small photo albums and big photo albums were wrapped in bundles of 5 albums and 3 albums respectively. Each bundle of small photo albums had a width of 8 cm and each bundle of big photo albums had a width of 12 cm. The photo albums were arranged from one end to the other end of a shelf with no gap as shown below.



- What could be the shortest possible length of the shelf?
- What fraction of the total number of photo albums was small photo albums?
Give your answer in simplest form.
- There were 54 more small photo albums than big photo albums on the shelf.
How many photo albums were there altogether?

Ans: _____ (1)

Ans: _____ (2)

Ans: _____ (2)

Answers

1. \$46
2. \$15
3. 25%
4. 126
5. 26.25cm^2
6. 19
7. 11.24 a.m.
8. 4725cm^3
9. 19
10. \$17, \$47
11. 89
12. 215
13. $76^\circ, 52^\circ$
14. \$37.50
15. 53.68 cm, 22.72 cm^2
16. 5 : 16, \$110
17. 24cm, $\frac{5}{7}$, 126